

**OVERALL SITE PLAN**

W-1 COMMUNICATIONS  
CH91194A  
HELTZER RT  
5135 GOLF RD  
SKOKIE, IL 60077

PROJECT NUMBER: T1001302

SHEET NUMBER: C-1

SCALE: 1" = 20'-0"

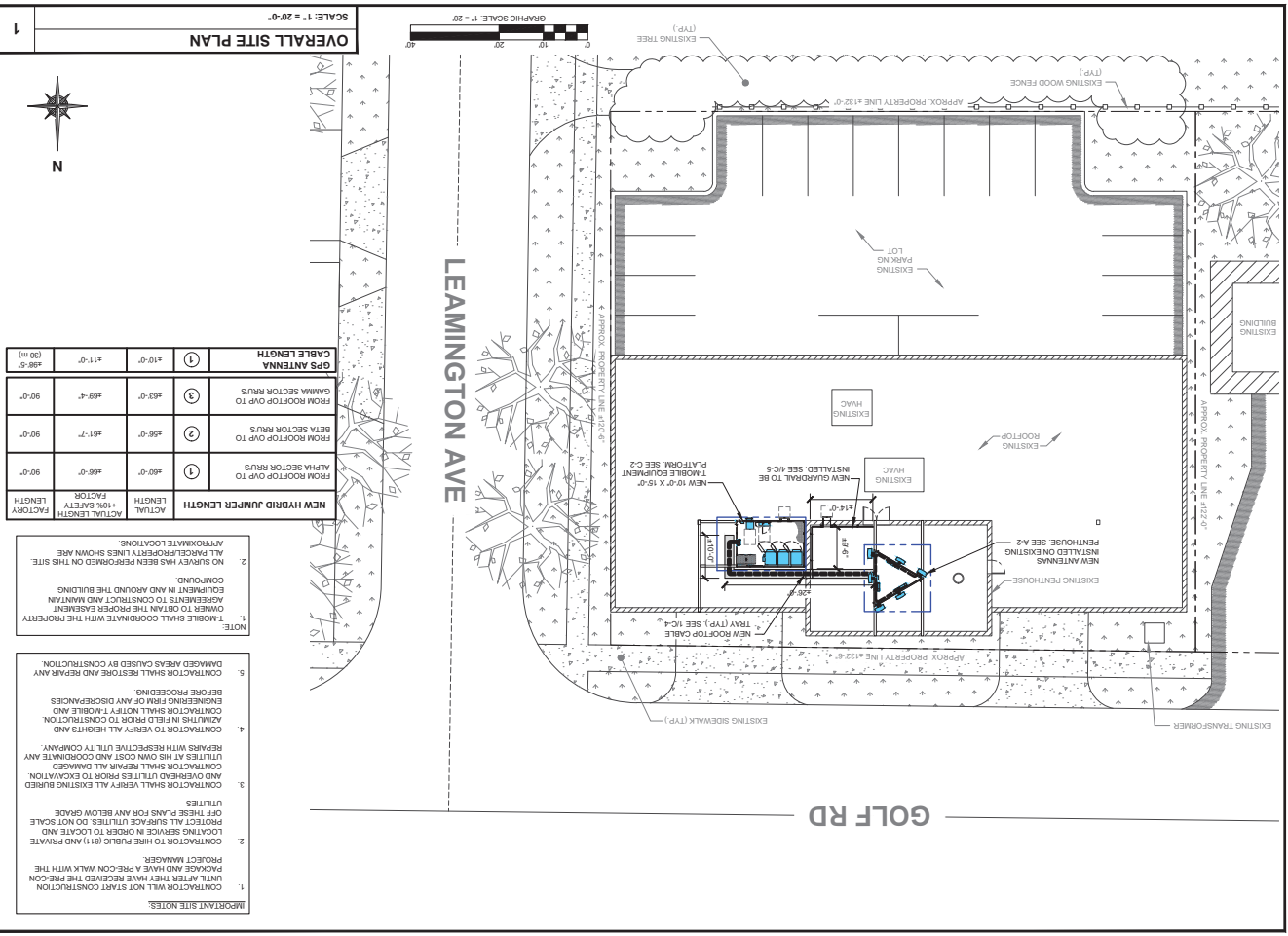
GRAPHIC SCALE 1" = 20'

**NEW HYBRID JUMPER LENGTH**

ACTUAL LENGTH	10% SAFETY FACTOR	NEW HYBRID JUMPER LENGTH
90'-0"	99'-0"	99'-0"
90'-0"	99'-0"	99'-0"
90'-0"	99'-0"	99'-0"
90'-0"	99'-0"	99'-0"

**GFP ANTENNA CABLE LENGTH**

FROM ROOF TOP OVP TO	LENGTH	ACTUAL LENGTH
FROM ROOF TOP OVP TO ALPHA SECTION RUFS	99'-0"	99'-0"
FROM ROOF TOP OVP TO BETA SECTION RUFS	99'-0"	99'-0"
FROM ROOF TOP OVP TO GAMMA SECTION RUFS	99'-0"	99'-0"



**IMPORTANT SITE NOTES:**

- CONTRACTOR SHALL RESTORE AND REPAIR ANY DAMAGED AREAS CAUSED BY CONSTRUCTION BEFORE PROCEEDING.
- CONTRACTOR SHALL NOTIFY UTILITIES AND OBTAIN THE NECESSARY PERMITS AND COORDINATION BEFORE ANY WORK BEGINS.
- CONTRACTOR SHALL VERIFY ALL EXISTING UTILITIES AT HIS OWN COST AND COORDINATE ANY AND ALL NECESSARY REPAIRS TO EXISTING UTILITIES WITH THE UTILITY COMPANIES.
- CONTRACTOR SHALL VERIFY ALL EXISTING UTILITIES AND OBTAIN THE NECESSARY PERMITS AND COORDINATION BEFORE ANY WORK BEGINS.
- CONTRACTOR SHALL VERIFY ALL EXISTING UTILITIES AND OBTAIN THE NECESSARY PERMITS AND COORDINATION BEFORE ANY WORK BEGINS.
- CONTRACTOR SHALL VERIFY ALL EXISTING UTILITIES AND OBTAIN THE NECESSARY PERMITS AND COORDINATION BEFORE ANY WORK BEGINS.

**TITLE SHEET**

W-1 COMMUNICATIONS  
CH91194A  
HELTZER RT  
5135 GOLF RD  
SKOKIE, IL 60077

PROJECT NUMBER: T1001302

SHEET NUMBER: T-1

SCALE: 1" = 20'-0"

GRAPHIC SCALE 1" = 20'

**PROJECT TEAM**

**PROJECT OWNER:**  
W-1 GOLF LLC  
CONTACT: TBO  
1400 ORIS PLACE  
DUMMERS GROVE, IL 60015  
TEL: (773) 444-5400  
CONTACT: ISAAC WEISS  
SKOKIE, IL 60076  
TEL: (773) 415-6005

**APPLICANT:**  
W-1 GOLF LLC  
CONTACT: TBO  
1400 ORIS PLACE  
DUMMERS GROVE, IL 60015  
TEL: (773) 444-5400  
CONTACT: ISAAC WEISS  
SKOKIE, IL 60076  
TEL: (773) 415-6005

**CONTRACTS**

**NSD PROJECT TYPE**

**COOK COUNTY:**

**SKOKIE CITY:**

**JURISDICTION: VILLAGE OF SKOKIE**

SHEET NUMBER	DESCRIPTION
T-1	TITLE SHEET
T-2	CONTRACTS
T-3	GENERAL NOTES
T-4	GENERAL NOTES
T-5	GENERAL NOTES
T-6	GENERAL NOTES
T-7	GENERAL NOTES
T-8	GENERAL NOTES
T-9	GENERAL NOTES
T-10	GENERAL NOTES
T-11	GENERAL NOTES
T-12	GENERAL NOTES
T-13	GENERAL NOTES
T-14	GENERAL NOTES
T-15	GENERAL NOTES
T-16	GENERAL NOTES
T-17	GENERAL NOTES
T-18	GENERAL NOTES
T-19	GENERAL NOTES
T-20	GENERAL NOTES
T-21	GENERAL NOTES
T-22	GENERAL NOTES
T-23	GENERAL NOTES
T-24	GENERAL NOTES
T-25	GENERAL NOTES
T-26	GENERAL NOTES
T-27	GENERAL NOTES
T-28	GENERAL NOTES
T-29	GENERAL NOTES
T-30	GENERAL NOTES
T-31	GENERAL NOTES
T-32	GENERAL NOTES
T-33	GENERAL NOTES
T-34	GENERAL NOTES
T-35	GENERAL NOTES
T-36	GENERAL NOTES
T-37	GENERAL NOTES
T-38	GENERAL NOTES
T-39	GENERAL NOTES
T-40	GENERAL NOTES
T-41	GENERAL NOTES
T-42	GENERAL NOTES
T-43	GENERAL NOTES
T-44	GENERAL NOTES
T-45	GENERAL NOTES
T-46	GENERAL NOTES
T-47	GENERAL NOTES
T-48	GENERAL NOTES
T-49	GENERAL NOTES
T-50	GENERAL NOTES

**APPLICABLE CODES**

**ELECTRIC:**  
COMMERCIAL BUILDING CODE 2012  
INTERNATIONAL BUILDING CODE 2012  
NATIONAL ELECTRICAL CODE 2014

**UTILITIES**

**PROPERTY SUMMARY**

**COORDINATES (NAD83):** SITE ADDRESS:  
5135 GOLF RD  
DUMMERS GROVE, IL 60015  
LON: 47° 40' 30" W  
GRAD: 87° 55' 56" W  
M LETTER DATED 8/27/18

**TAX ID NUMBER:**  
16-200-045-0000

**PROJECT DESCRIPTION**

**T-MOBILE BUILD OUT:**  
NEW 16'-0" X 15'-0" PLATFORM WITH NEW 12'-0" X 20'-0" CASE AREA INSTALL T-MOBILE EQUIPMENT CABINET ON NEW ROOF TOP PLATFORM. NEW WATER OR SEWER IS REQUIRED AS FACILITY IS UNSERVICED.

**APPROVALS**

**PROJECT TEAM**

**APPLICANT:**  
W-1 GOLF LLC  
CONTACT: TBO  
1400 ORIS PLACE  
DUMMERS GROVE, IL 60015  
TEL: (773) 444-5400  
CONTACT: ISAAC WEISS  
SKOKIE, IL 60076  
TEL: (773) 415-6005

**CONTRACTS**

**NSD PROJECT TYPE**

**COOK COUNTY:**

**SKOKIE CITY:**

**JURISDICTION: VILLAGE OF SKOKIE**

**APPLICABLE CODES**

**ELECTRIC:**  
COMMERCIAL BUILDING CODE 2012  
INTERNATIONAL BUILDING CODE 2012  
NATIONAL ELECTRICAL CODE 2014

**UTILITIES**

**PROPERTY SUMMARY**

**COORDINATES (NAD83):** SITE ADDRESS:  
5135 GOLF RD  
DUMMERS GROVE, IL 60015  
LON: 47° 40' 30" W  
GRAD: 87° 55' 56" W  
M LETTER DATED 8/27/18

**TAX ID NUMBER:**  
16-200-045-0000

**PROJECT DESCRIPTION**

**T-MOBILE BUILD OUT:**  
NEW 16'-0" X 15'-0" PLATFORM WITH NEW 12'-0" X 20'-0" CASE AREA INSTALL T-MOBILE EQUIPMENT CABINET ON NEW ROOF TOP PLATFORM. NEW WATER OR SEWER IS REQUIRED AS FACILITY IS UNSERVICED.

**APPROVALS**

**PROJECT TEAM**

**APPLICANT:**  
W-1 GOLF LLC  
CONTACT: TBO  
1400 ORIS PLACE  
DUMMERS GROVE, IL 60015  
TEL: (773) 444-5400  
CONTACT: ISAAC WEISS  
SKOKIE, IL 60076  
TEL: (773) 415-6005

**CONTRACTS**

**NSD PROJECT TYPE**

**COOK COUNTY:**

**SKOKIE CITY:**

**JURISDICTION: VILLAGE OF SKOKIE**

**AIRIAL MAP**

**LOCATION MAP**

**SITE TYPE: ROOFTOP**

**SITE NAME: HELTZER RT**

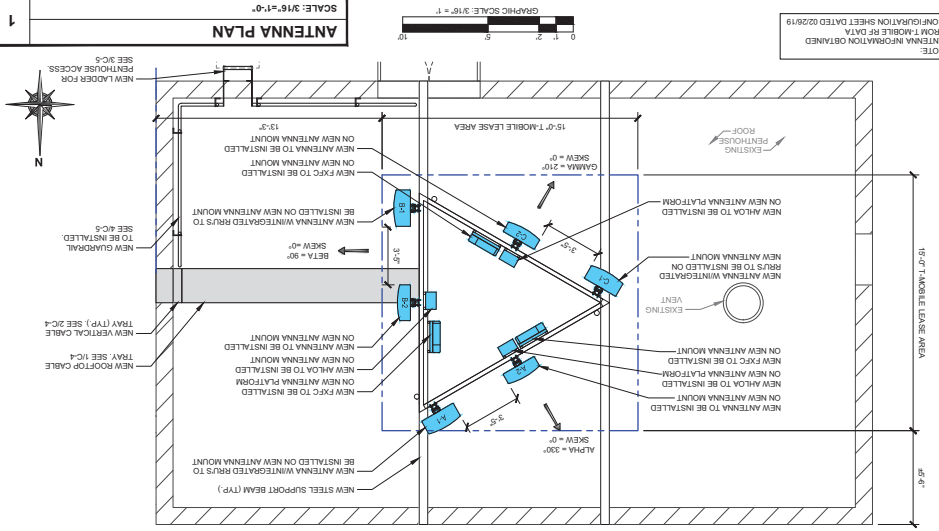
**SITE NUMBER: CH91194A**

**stick together**

**J-Mobile**

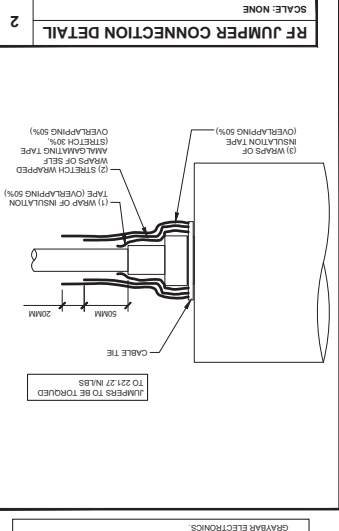
**ANTENNA PLAN**

SCALE: 3/16" = 1'-0"



**RF JUMPER CONNECTION DETAIL**

SCALE: NONE



SECTION	LOCATION	TECHNOLOGY	MODEL #	MOUNTING TYPE	MOUNTING HEIGHT	MECHANICAL DOWNHILL	RBU TYPE	HCS DIA & TYPE	HCS ACTUAL LENGTH	HCS FACTORY LENGTH	BUNDLE DIA & TYPE	BUNDLE FACTORY LENGTH	JUMPER TYPE FROM	JUMPER LENGTH	RBU TO ANTENNA	JUMPER LENGTH															
ALPHA	A-1	LTE 800-700ISM PCS (N900)	LTE AWS-PCS	MASSIVE MIMO	COMMSCOPE	FH45C-R3	AFLA	(1) AFLA (INTERNAL)	22/22	2	(1) AFLA (INTERNAL)	22/22	HYBRID JUMPER	90'-0"	90'-0"	90'-0"															
																	BETA	B-1	LTE 800-700ISM PCS (N900)	LTE AWS-PCS	COMMSCOPE	FH45C-R3	AFLA	(1) AFLA (INTERNAL)	2	(1) AFLA (INTERNAL)	22/22	HYBRID JUMPER	90'-0"	90'-0"	90'-0"

- NOTE: A STRUCTURAL ANALYSIS OF THE TOWER OR STRUCTURE HAS BEEN COMPLETED BY THE WT GROUP, LLC ON 11/27/18. THE LOCATION AND MOUNTING SHOWN IN THE STRUCTURAL ANALYSIS SHALL SUPERSEDE THESE DIMENSIONS.
- PLANS PREPARED BY: W-T COMMUNICATIONS ENGINEERING, INC. LICENSE # 000235. PROJECT # 190014. DATE: 02/28/19.
1. CONTRACTOR SHALL COORDINATE REQUIRED MECHANICAL DOWNHILL SHALL BE SET AND VERIFIED BY A SURVEY LEVEL.
2. ANTENNA CENTRELINE HEIGHT IS IN REFERENCE TO ELEVATION 0'-0".
3. HAZARD CABLES AND JUMPER CABLES WITH UV RESISTANT TAPE. ALL CABLES SHALL BE MARKED AT THE TOP AND BOTTOM WITH A COLOR TAPE OR STRIPE. THE COLOR TAPE MAY BE OBTAINED FROM GRAYBAR ELECTRONICS.

**Antenna Plan**  
SHEET TITLE: ANTENNA PLAN  
W-T PROJECT NUMBER: 11801302  
SITE INFORMATION: 5135 GOLF RD, CH911944, HELTZER RT.  
SCALE: 3/16" = 1'-0"

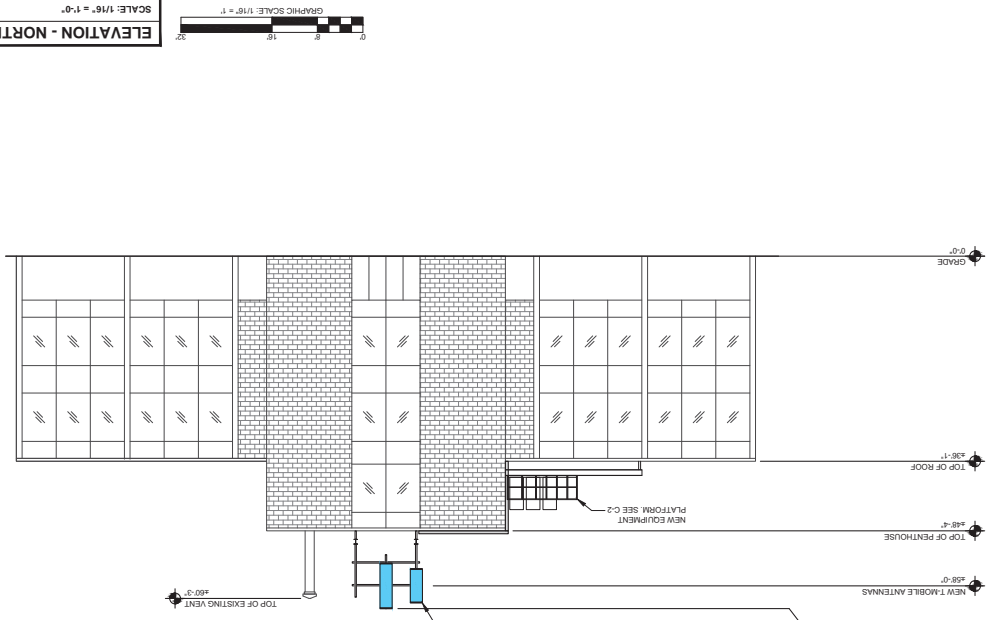
**W-T COMMUNICATIONS ENGINEERING, INC.**  
REGISTERED PROFESSIONAL ENGINEER  
LICENSE # 000235  
PROJECT # 190014  
DATE: 02/28/19

**W-T COMMUNICATIONS ENGINEERING, INC.**  
11801302  
5135 GOLF RD  
CH911944  
HELTSER RT.  
CA 91103

**1-MOBILE**  
OFFICE TOGETHER

**ELEVATION - NORTH VIEW**

SCALE: 1/16" = 1'-0"



- NOTE: CONTRACTOR TO VERIFY ALL HEIGHT AND AZIMUTH INFORMATION FROM 1-MOBILE RF DATA CONFIRMATION SHEET AND DISCREPANCIES BEFORE PROCEEDING.
- NOTE: LOCATION WITH T-MOBILE ENGINEER, RF ENGINEER AND ELEC OPS PRIOR TO INSTALLATION.
- NOTE: CONTRACTOR SHALL VERIFY ALL FINAL CONNECTION WORKING WHEN INSTALLING AND TIGHTENING CONNECTORS TO INSURE PROPER FIT.
- NOTE: CONTRACTOR SHALL BE RESPONSIBLE FOR NOTIFYING T-MOBILE AND ENGINEERING FIRM WITH REGARD TO FINAL RF CONFIGURATION AND ANY DISCREPANCIES.
- NOTE: CONTRACTOR SHALL BE RESPONSIBLE FOR A STRUCTURAL ANALYSIS OF THE TOWER OR STRUCTURE HAZARD CABLES BY THE WT GROUP, LLC ON 11/27/18. THE LOCATION AND MOUNTING SHOWN IN THE STRUCTURAL ANALYSIS SHALL SUPERSEDE THESE DIMENSIONS.

**Elevation**  
SHEET TITLE: ELEVATION  
W-T PROJECT NUMBER: 11801302  
SITE INFORMATION: 5135 GOLF RD, CH911944, HELTZER RT.  
SCALE: 1/16" = 1'-0"

**W-T COMMUNICATIONS ENGINEERING, INC.**  
REGISTERED PROFESSIONAL ENGINEER  
LICENSE # 000235  
PROJECT # 190014  
DATE: 02/28/19

**W-T COMMUNICATIONS ENGINEERING, INC.**  
11801302  
5135 GOLF RD  
CH911944  
HELTSER RT.  
CA 91103

**1-MOBILE**  
OFFICE TOGETHER